

AV SYSTEM GUIDE

FOR SPACES WITH A PHYSICAL BUTTON-PANEL

Rooms will differ in their available sources and control options. The below example is a collection of the most typical features. Refer to the relevant Learning Spaces page for more room-specific details.

1. PRESS <POWER ON>

- Allow 10-15 seconds for the display to turn on.
- If the room has a motorized projection screen, it will come down fully. It will also retract with the <POWER OFF> button.

2. SELECT A SOURCE

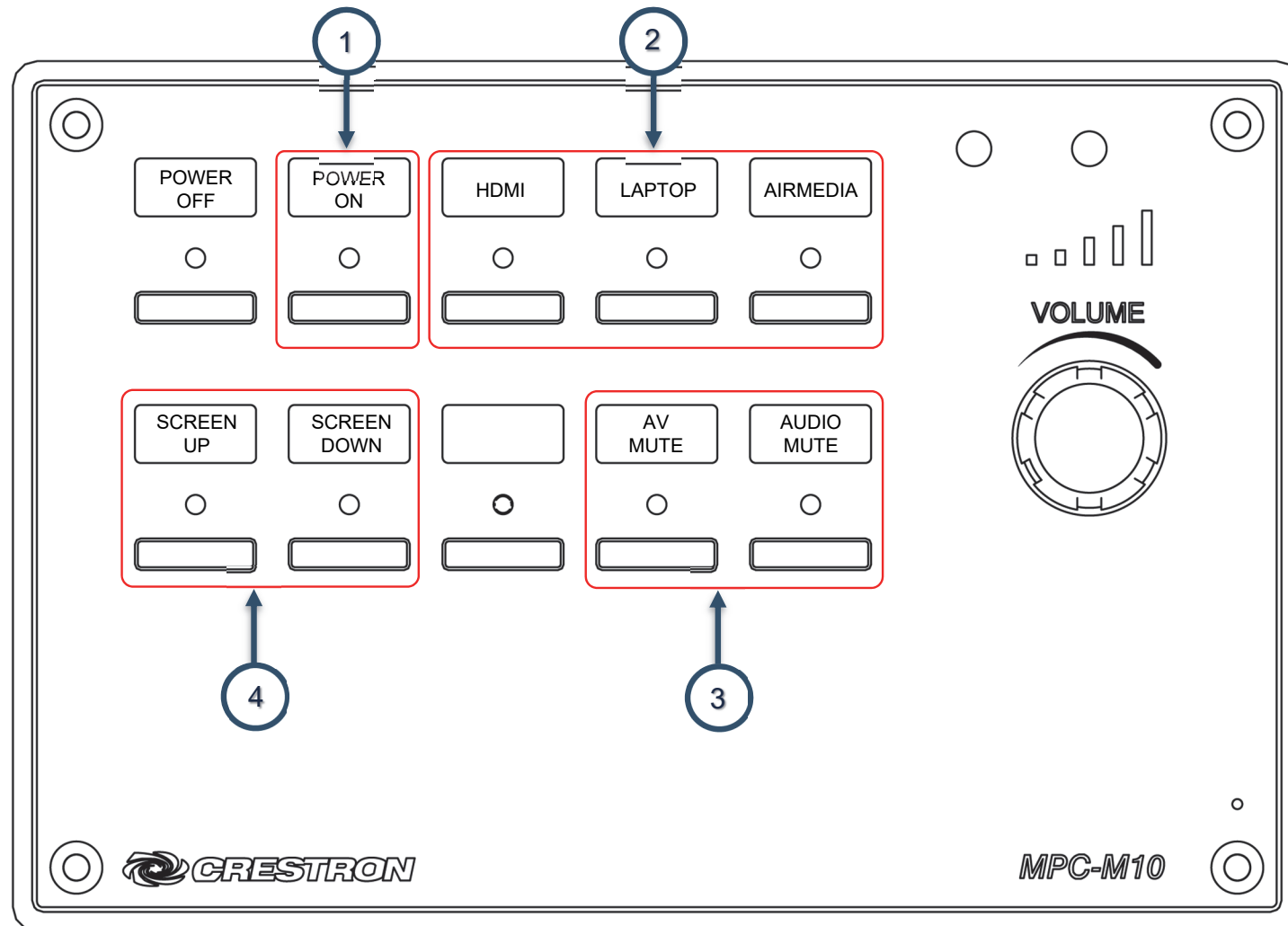
- HDMI
- LAPTOP (VGA)
- AIRMEDIA

3. MUTE OPTIONS

- Press <AV MUTE> to blank the display and mute the audio without removing a cable.
- Press <AUDIO MUTE> to mute audio without blanking the display.

4. SCREEN CONTROLS

- A motorized projection screen will be controlled automatically with the power buttons, but these buttons can also be used to control it manually.





THE UNIVERSITY OF BRITISH COLUMBIA

Audio Visual Services

Information Technology

Phone: 604-822-7956

E-mail: av.helpdesk@ubc.ca

Hours: Monday to Friday from 7:45am to 8pm